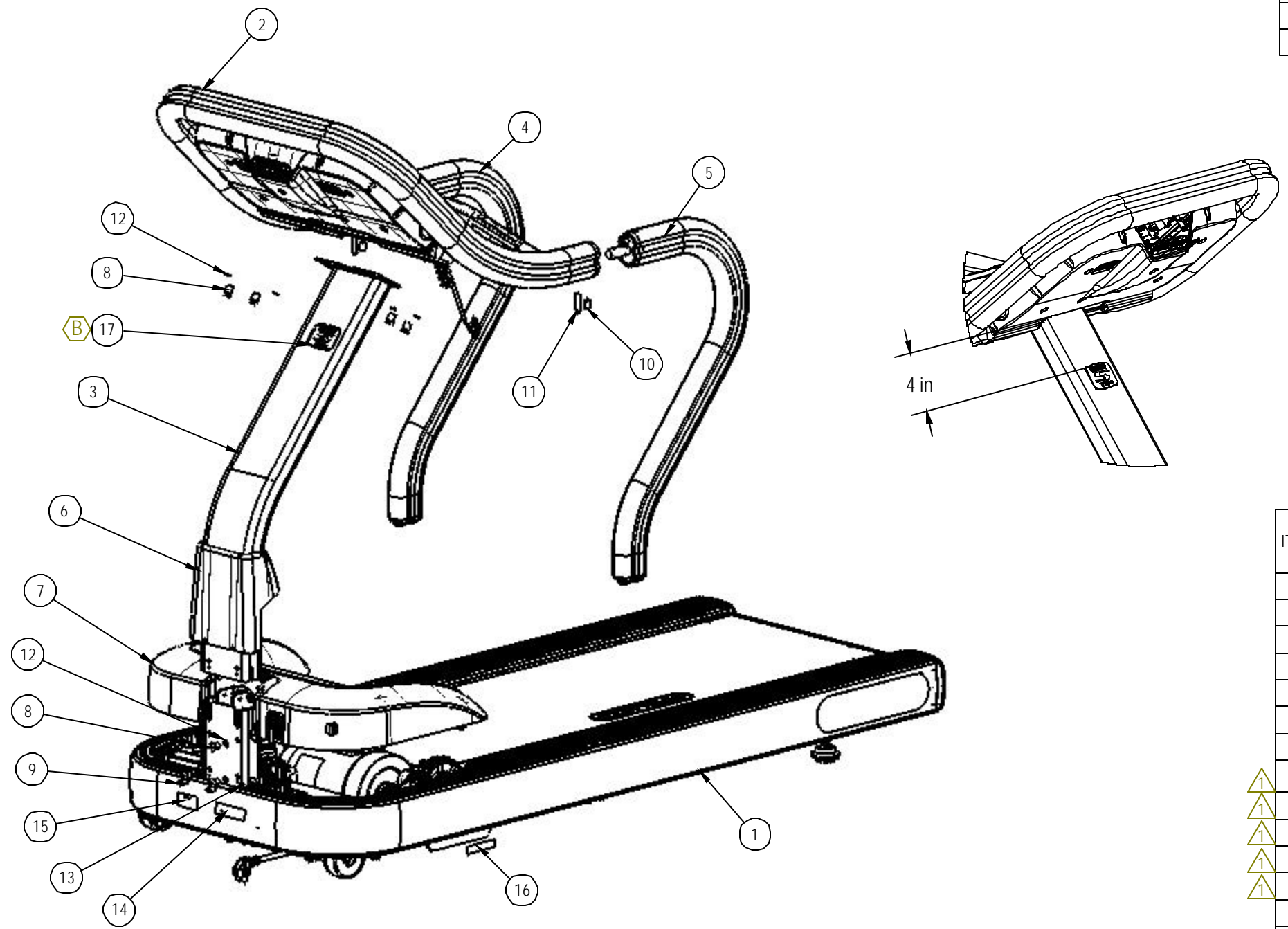


REVISION HISTORY				
REV	DATE	DESCRIPTION	ECO	BY
A	09-18-07	PRODUCTION RELEASE	11717	SJ
B	11-14-07	ADD ID BADGES TO S-SERIES PRODUCT	11754	AK



ITEM NO.	STAR TRAC P/N	INRAY P/N	DESCRIPTION	Default /QTY.
1	740-6144	740-6144	ASSY, BASE, 220V 10A, S-TRc-22	1
2	740-6047	740-6047	ASSY, HANDRAIL & DISPALY, S-TRc	1
3	740-6109	STDP0100	NECK, FRONT, S-TR, PAINTED	1
4	740-6114	STDP0400JS	SIDERAIL, W/DIP, LEFT, S-TR	1
5	740-6110	STDP0300JS	SIDERAIL, W/DIP, S-TR	1
6	740-6112	STDP2500	SHROUD, FRONT NECK, S-TR	1
7	740-6111	STDP2400	ASSY, MOTOR SHROUD, S-TR	1
8	740-6533	PNLM10*20;   19	SCREW, PNLM10*20	8
9	740-6534	PNLM6*20;   2	SCREW, PNLM6*25	2
10	740-6538	GB79M825DHS2	SCREW, PNLM6*25	2
11	740-6535	PNLM6*45;   2	SCREW, PNLM6*45	2
12	740-6537	GB862.28;   6	WASHER, GB862.2	8
13	740-6512	GB818M5*15;   2	SCREW, GB818M5*15	2
14	050-2105	050-2105	LABEL, SERIAL NUMBER & MARKINGS	1
15	050-2106	050-2106	LABEL, WARNING, SHOCK HAZARD	1
16	050-2104	050-2104	LABEL, TREADMILL PATENTS	1
17	050-2082	050-2082	BADGE, PRODUCT, S-TRC	1

NOTICE OF PROPRIETARY INFORMATION  
 THIS DOCUMENT SHALL NOT BE REPRODUCED NOR SHALL THE INFORMATION CONTAINED HEREIN BE USED BY OR DISCLOSED TO OTHER EXCEPT AS EXPRESSLY AUTHORIZED BY UNISEN INC, D.B.A. STAR TRAC.

**DOCUMENT STATUS:  
 RELEASE**

CLASS OF WORK	UNLESS OTHERWISE SPECIFIED DIMS ARE IN mm. TOLERANCES FOR MEASURE OF LENGTH ARE:							
	0.5 to 3	>3 to 6	>6 to 30	>30 to 120	>120 to 400	>400 to 1000	>1000 to 2000	>2000
FINE	±0.05	±0.05	±0.1	±0.15	±0.2	±0.3	±0.5	-----
MEDIUM	±0.1	±0.1	±0.2	±0.3	±0.5	±0.8	±1.2	±2
COARSE	±0.2	±0.3	±0.5	±0.8	±1.2	±2	±3	±4
VERY COARSE	-----	±0.5	±1	±1.5	±2.5	±4	±6	±8

**MATERIAL**

**FINISH**

**VENDOR:**

P/N: TRC-22DQ US

THIRD ANGLE PROJECTION



**UNISEN, INC. DBA**  
 STAR TRAC  
 14410 Myford Road  
 Irvine CA 92606

DRAWN	INITIAL	DATE
CHECKED		
APPROVED		

STARTRAC PART NO	REV
<b>740-6141</b>	<b>B</b>
TITLE	
<b>S-TRc3562, 220V 10A, NEMA 6-15</b>	
SCALE: 1:1	SHEET 1 OF 1
SHEET SIZE: B	

NOTES:  
 1. FOR REFERENCE ONLY, PARTS INCLUDED IN THE HARDWARE KIT (P/N 740-6132).